

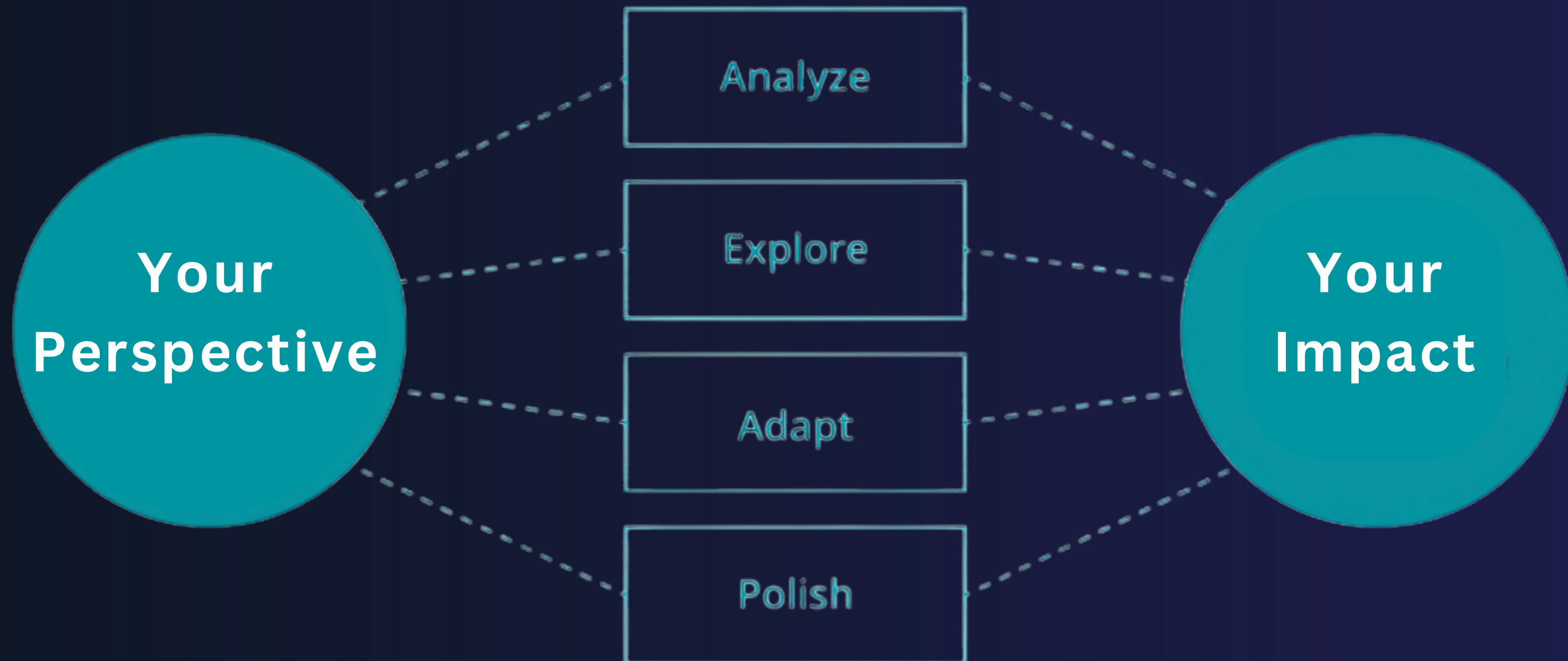
FIND YOUR FIGHT

HARNESSING HUMAN INTELLIGENCE
IN AN AI WORLD



JESSICA O. MATTHEWS

STRATEGIC AI ASSISTANCE



*How do you leverage your
lived experiences to sharpen
your perspective?*

***Think like a
fighter.***



gettyimages®
Credit: Stephen J. Cohen

456259992



FIND YOUR FIGHT

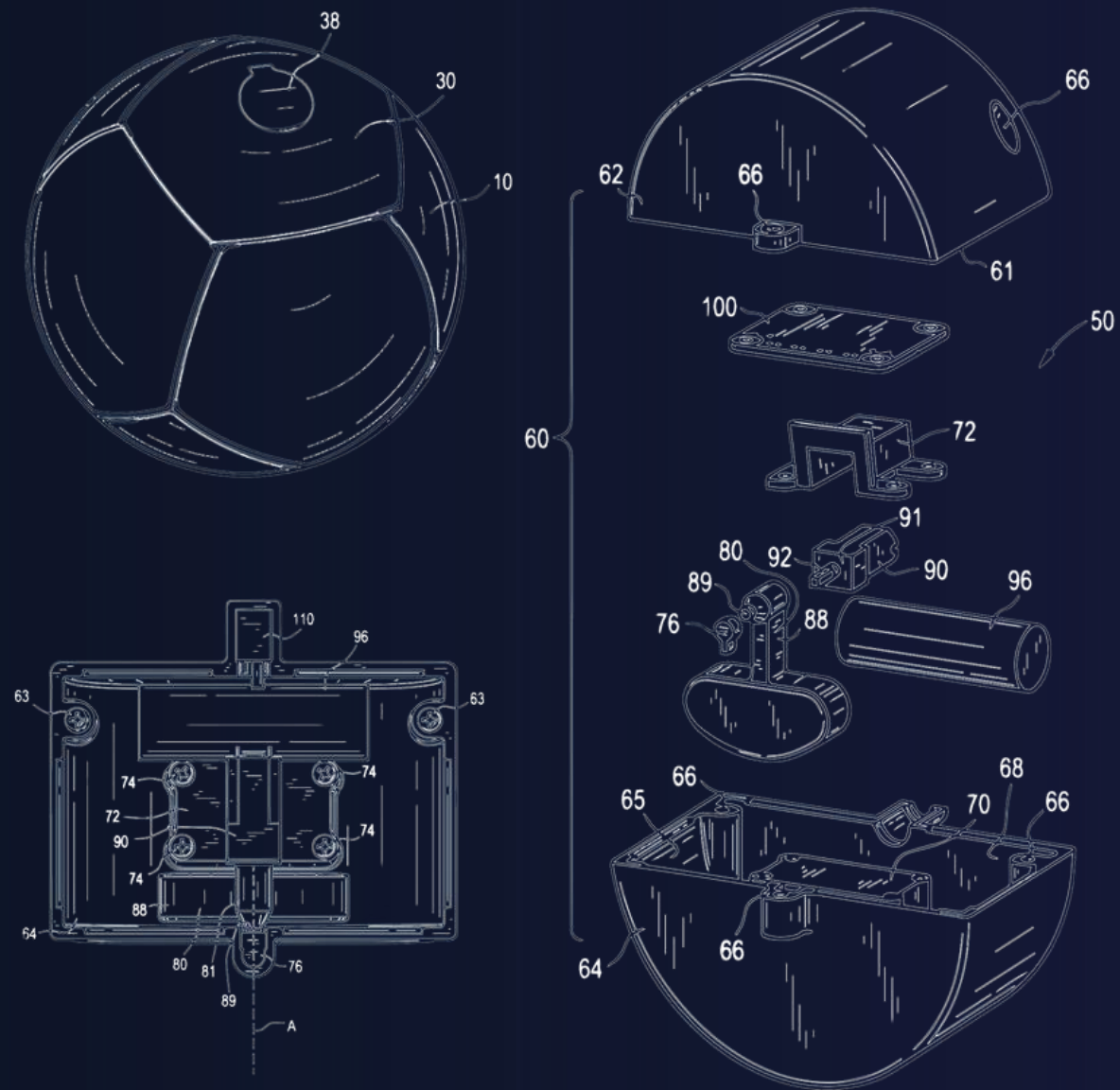
**TAKE IT
PERSONALLY**

2012

PATENT 9,517,388

SOCKET

ENERGY HARNESSING SOCCER BALL

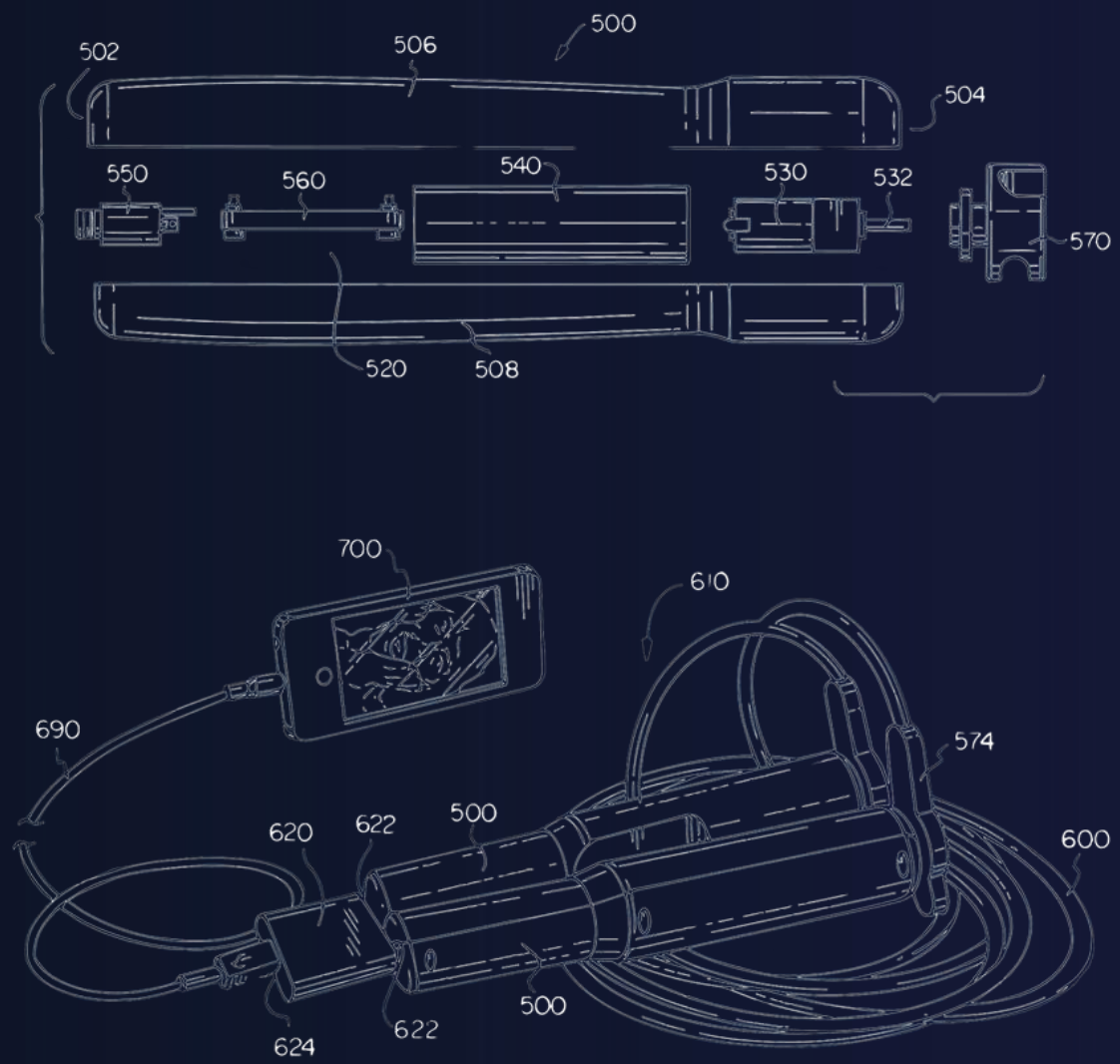


2012

PATENT 9,517,388

PULSE

ENERGY HARNESSING JUMP ROPE





FIND YOUR FIGHT

**EMBRACE THE
BEGINNER'S EDGE**

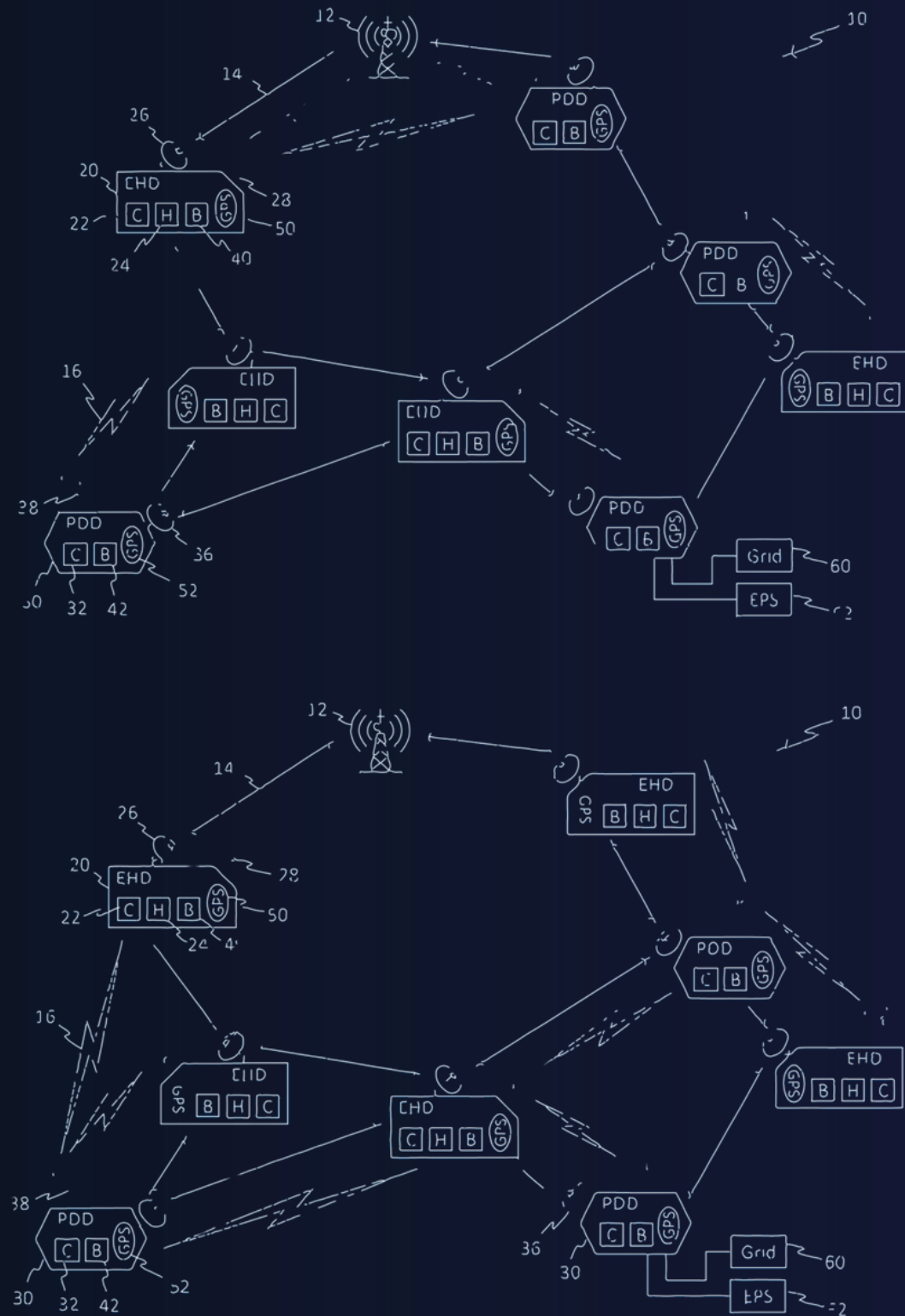




"The MIS is one of the leading edge technologies for embedded modular energy solutions. The MIS is poised to be a disrupter for smart energy distribution and peer to peer trading."

Professor Lei Zuo of Virginia Tech

Wireless Mesh Energy Network



TOSHIBA

SONY



Qualcomm



FIND YOUR FIGHT

**DON'T BE AFRAID
TO PIVOT**



LA Lakers great Magic Johnson joins board of renewable energy start-up Uncharted Power

PUBLISHED THU, MAR 5 2020•8:01 AM EST | UPDATED THU, MAR 5 2020•8:56 AM EST



Jabari Young
@JABARIJYOUNG

SHARE

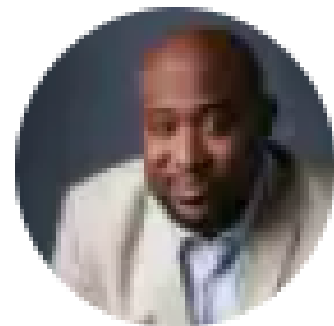
KEY POINTS

- Magic Johnson will take a seat in tech company Uncharted Power board of directors.
- Johnson will expand Uncharted Power's energy programs to U.S. communities while helping the company establish new partnerships.
- The renewable energy technology company was founded in 2011 by Jessica O. Matthews, who at age 19, invented a soccer ball that converts kinetic energy into three hours of power for lighting after an hour of play.



Uncharted |

PUBLISHED THU, MAR 5 2020 • 8:01 AM EST



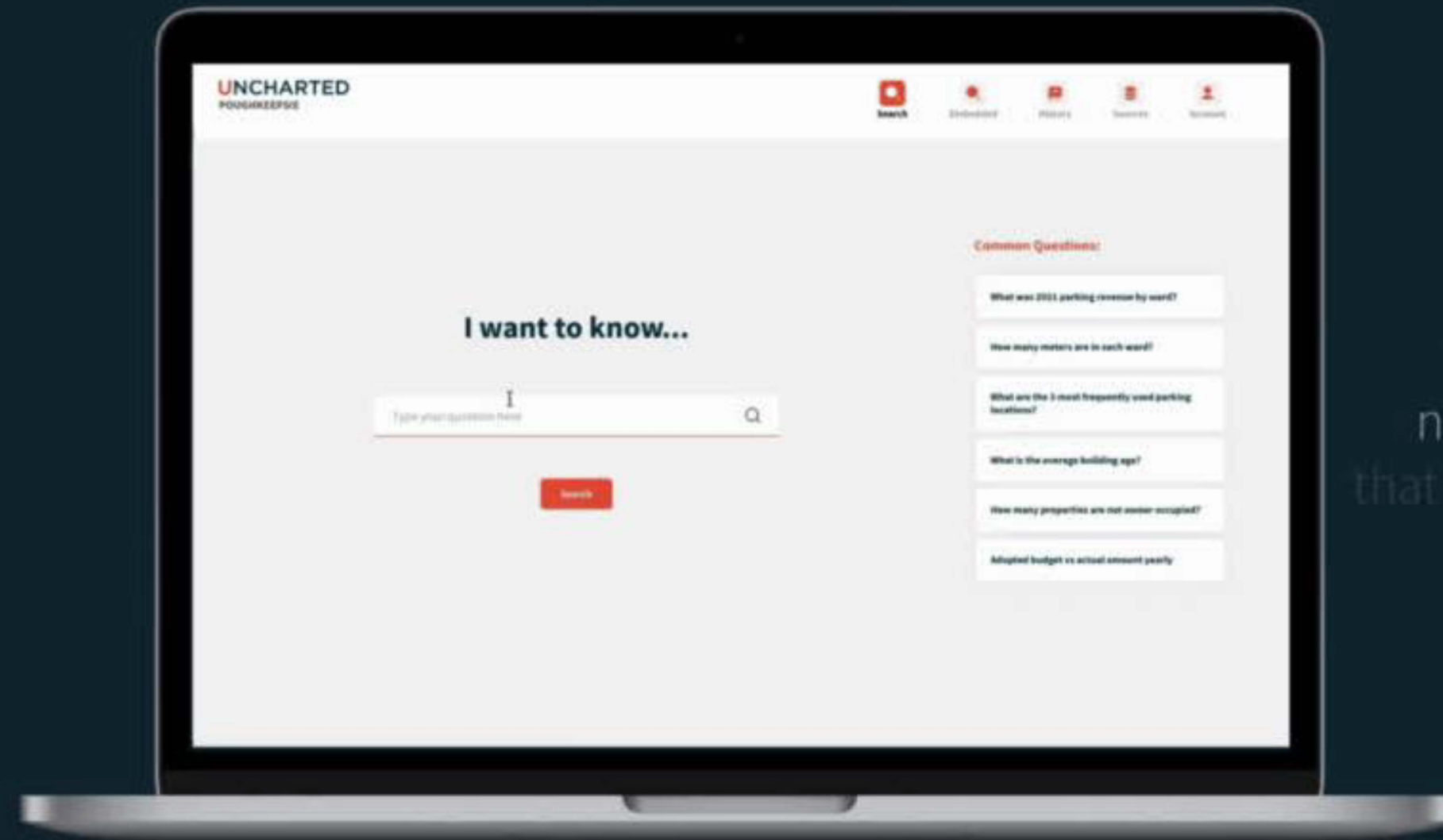
Jabari Young

@JABARIJYOUNG



**A PIVOT IS A CHANGE IN
STRATEGY WITHOUT A
CHANGE IN VISION**

CLICK FOR VIDEO



The key feature of the Unc Platform is a radically simple no-training required interface that anyone in government can



“When you think about one of the biggest barriers to deploying clean energy, it is always about hurdles on the ground. You guys [Uncharted] are in the space to clear that out.”

– Secretary Jennifer Granholm, USDOE

FEDERAL APPOINTMENT

2021 appointment to the Electricity Advisory Committee to advise on the implementation of energy policy and modernizing the nation’s electricity delivery infrastructure.

Find Your Fight

**THANK
YOU!**

CONNECT ON LINKEDIN

